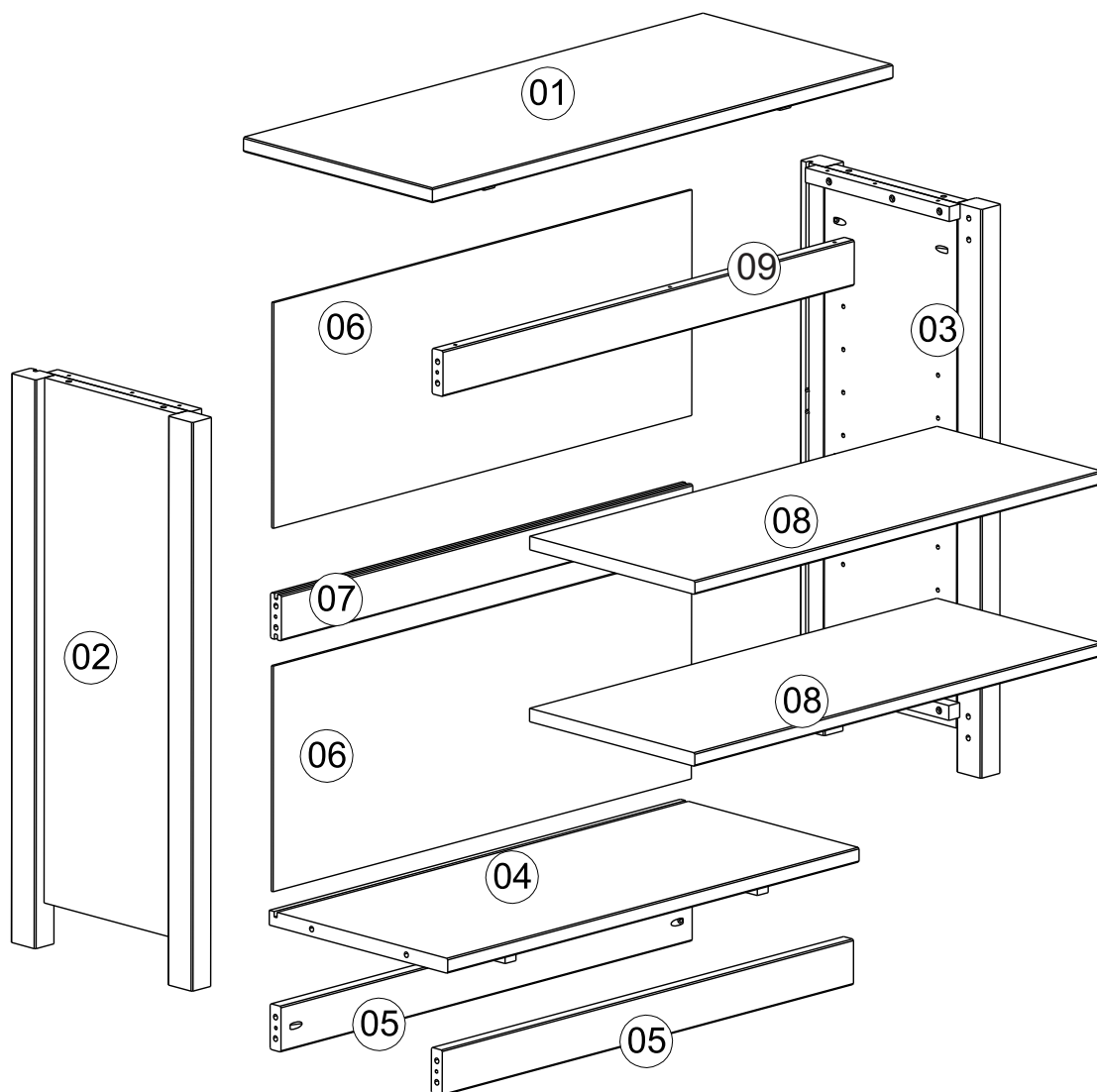


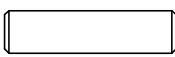


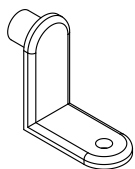
# ASSEMBLY INSTRUCTIONS UNDER WINDOW BOOKCASE

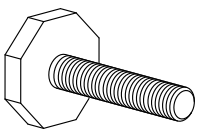
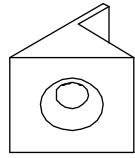



# COMPONENTS



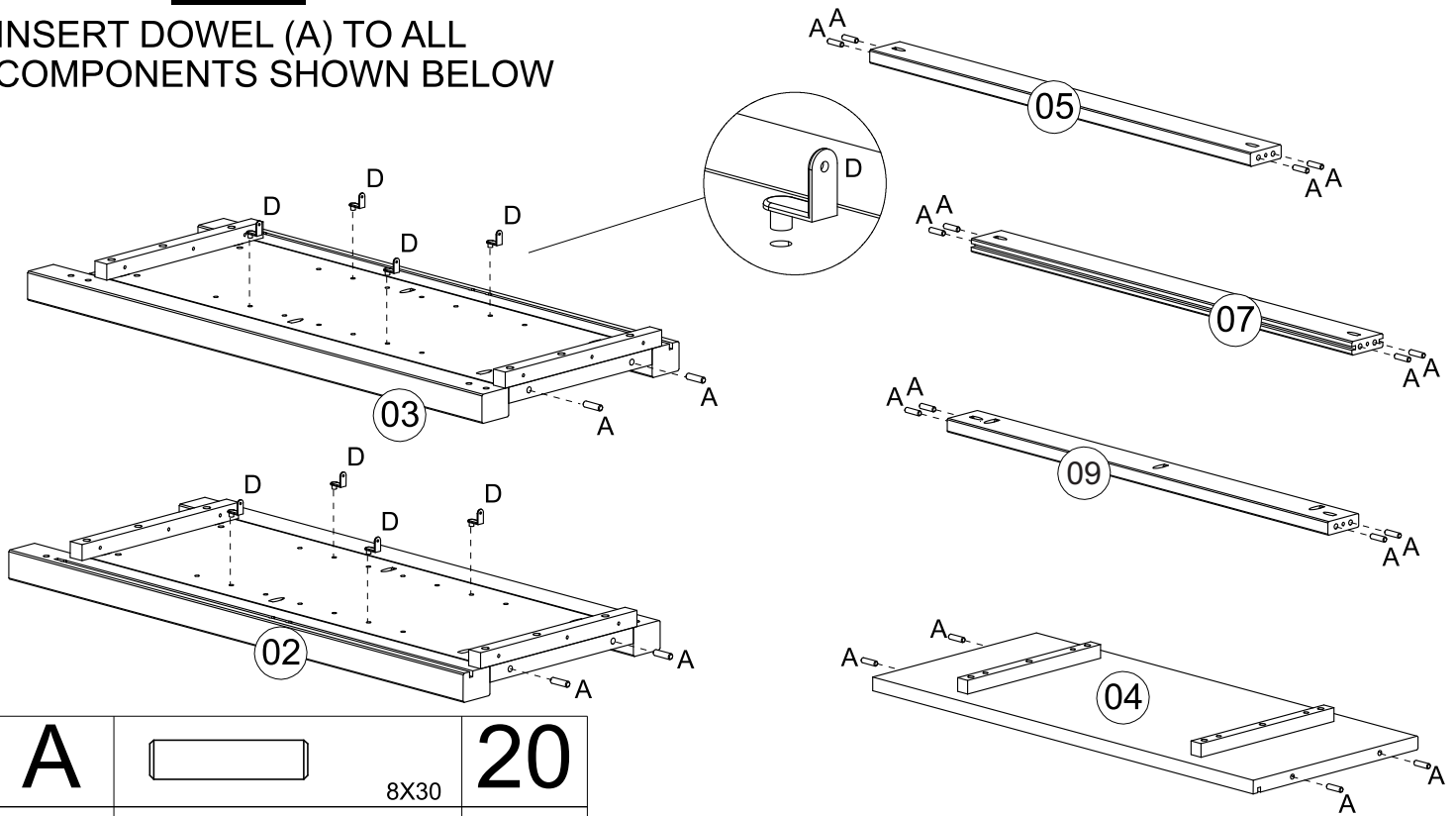
# HARDWARE

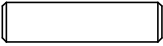
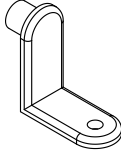
<b>A</b>		8X30	<b>20</b>
<b>B</b>		CP 4X30	<b>23</b>
<b>C</b>		CC 3X16	<b>08</b>
<b>D</b>			<b>08</b>

<b>E</b>			<b>04</b>
<b>F</b>			<b>16</b>
<b>G</b>		CC3X20	<b>16</b>
<b>I</b>	ANTI-TIPPING KIT		<b>01</b>

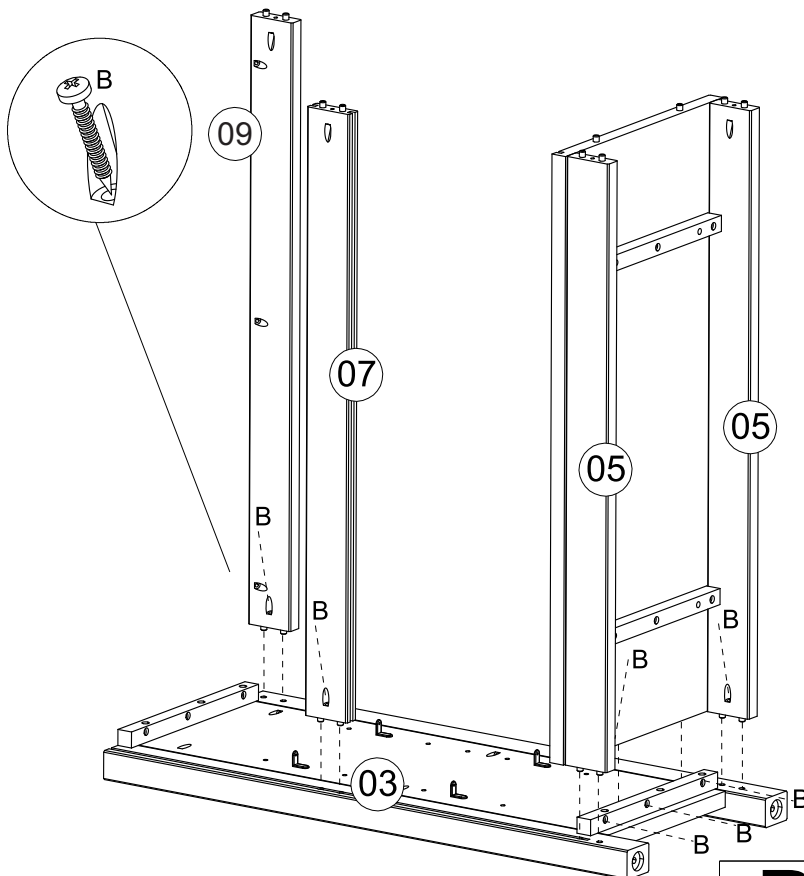
# STEP 1


INSERT DOWEL (A) TO ALL COMPONENTS SHOWN BELOW



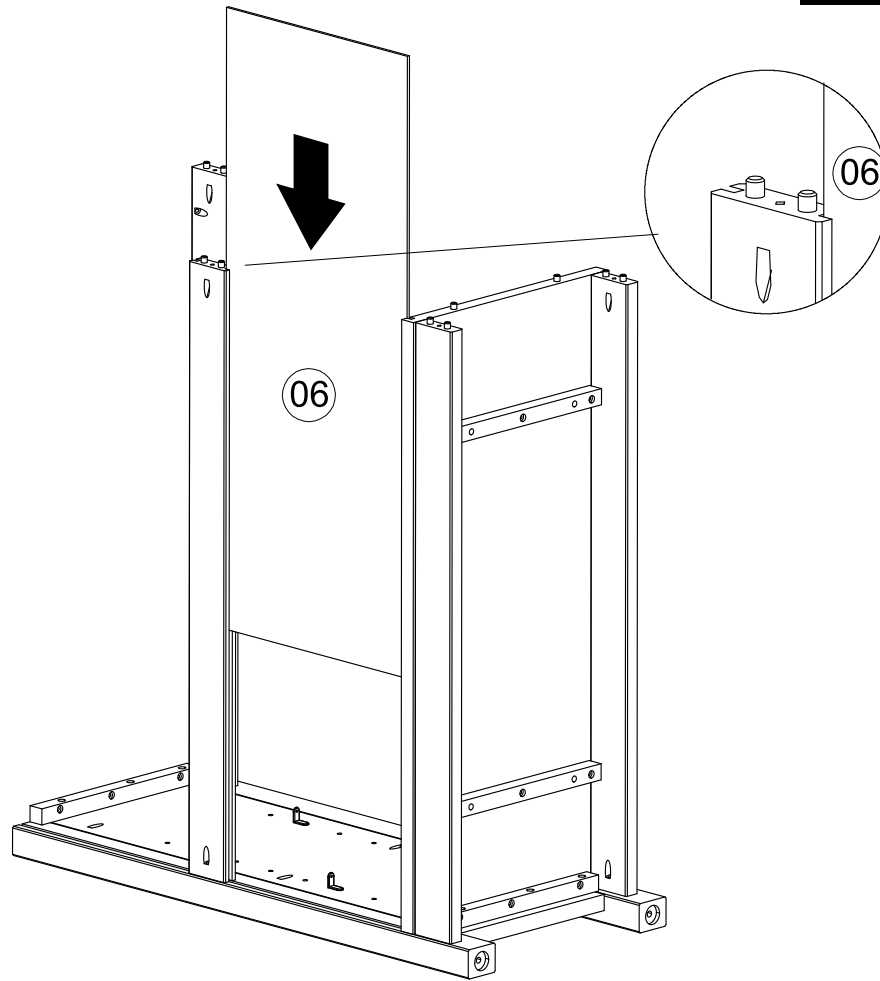
<b>A</b>	 8X30	<b>20</b>
<b>D</b>		<b>08</b>

# STEP 2

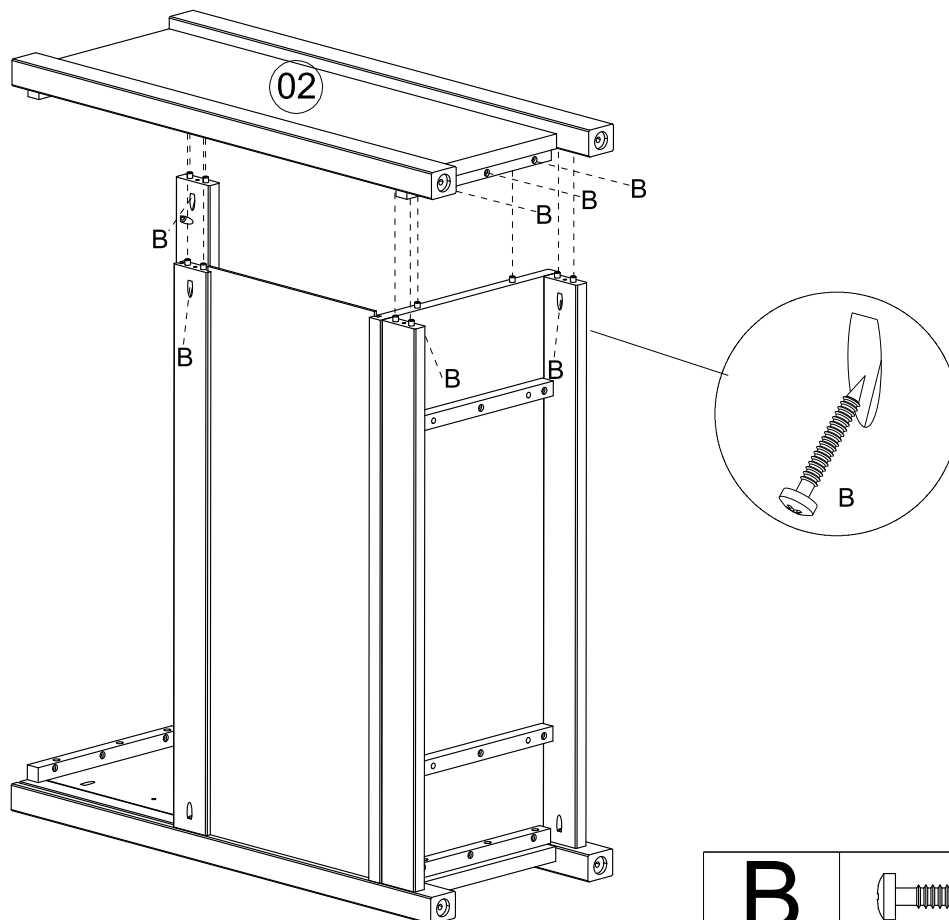


<b>B</b>	 CP 4X30	<b>07</b>
----------	--	-----------

### STEP 3



### STEP 4



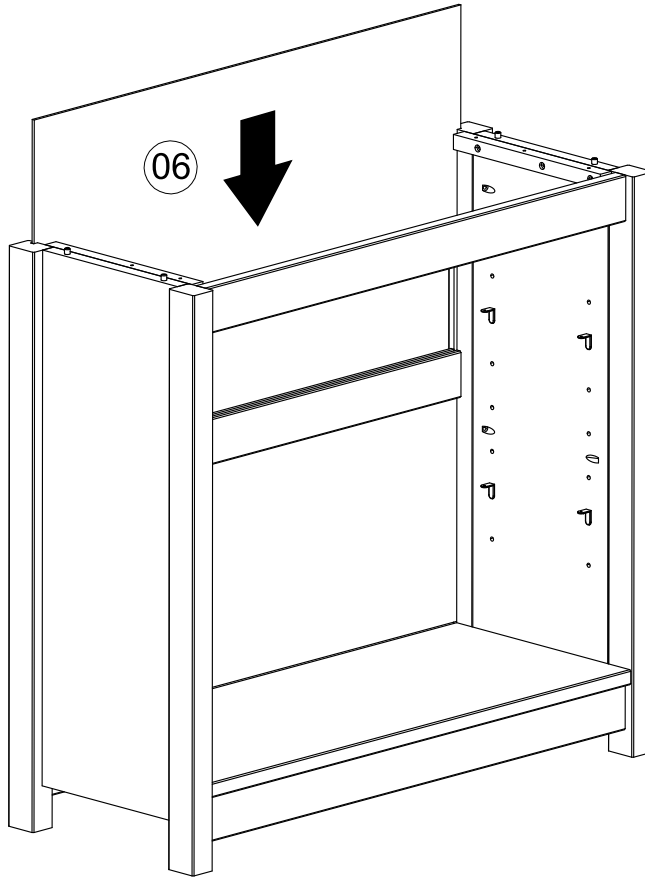
**B**



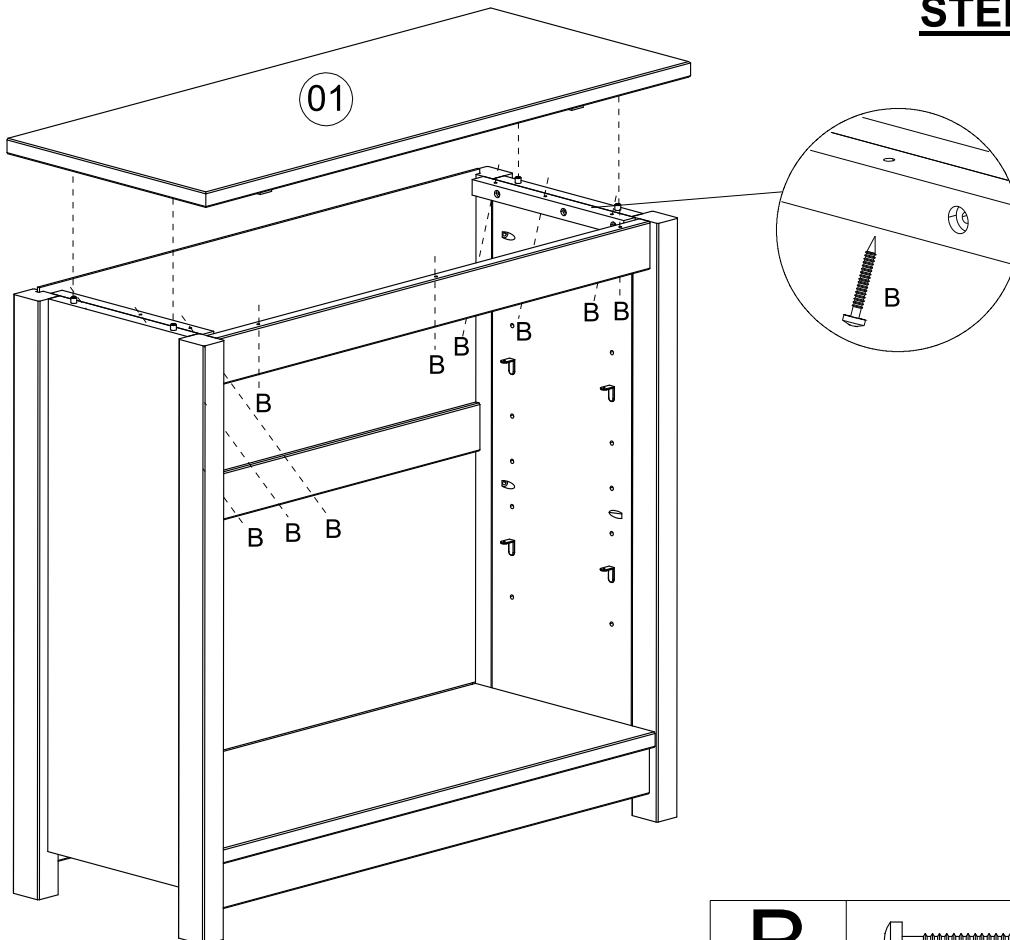
CP 4X30

**07**

# STEP 5



# STEP 6



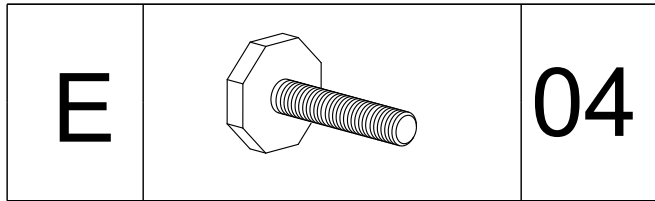
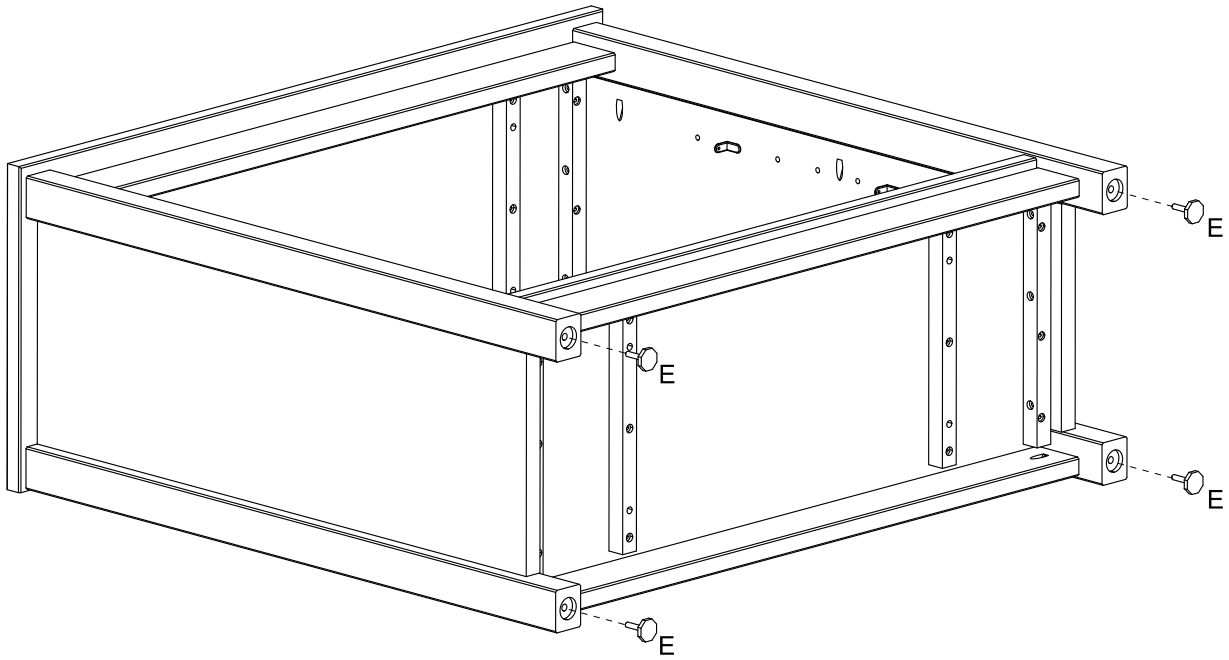
**B**



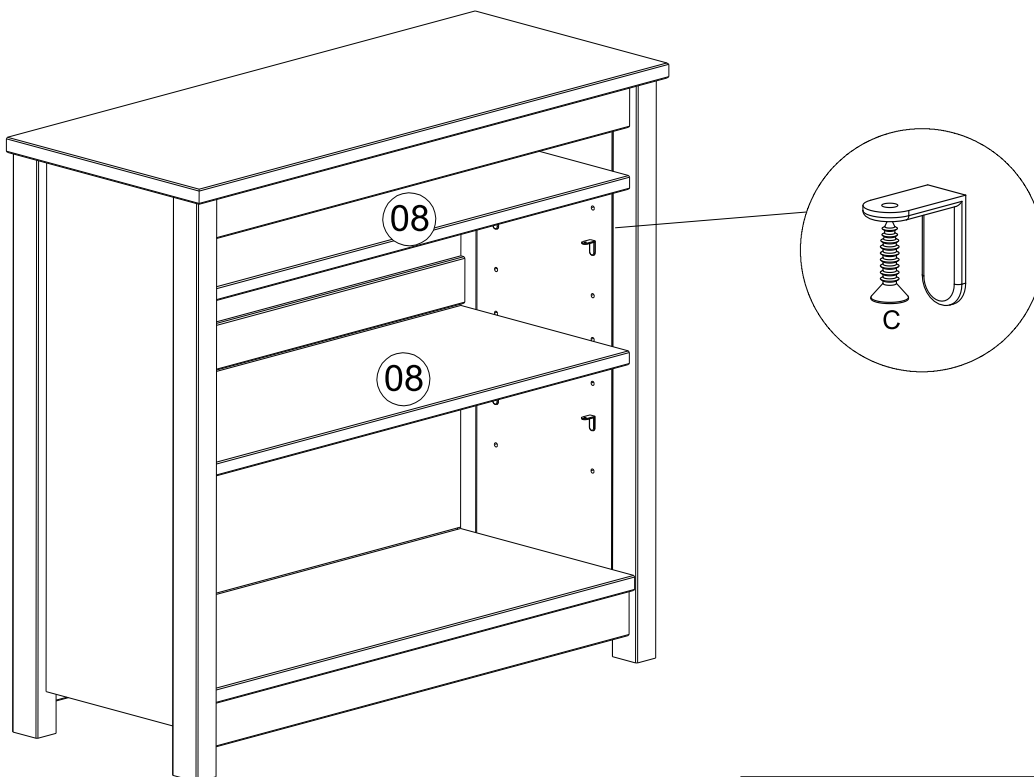
CP 4X30

**09**

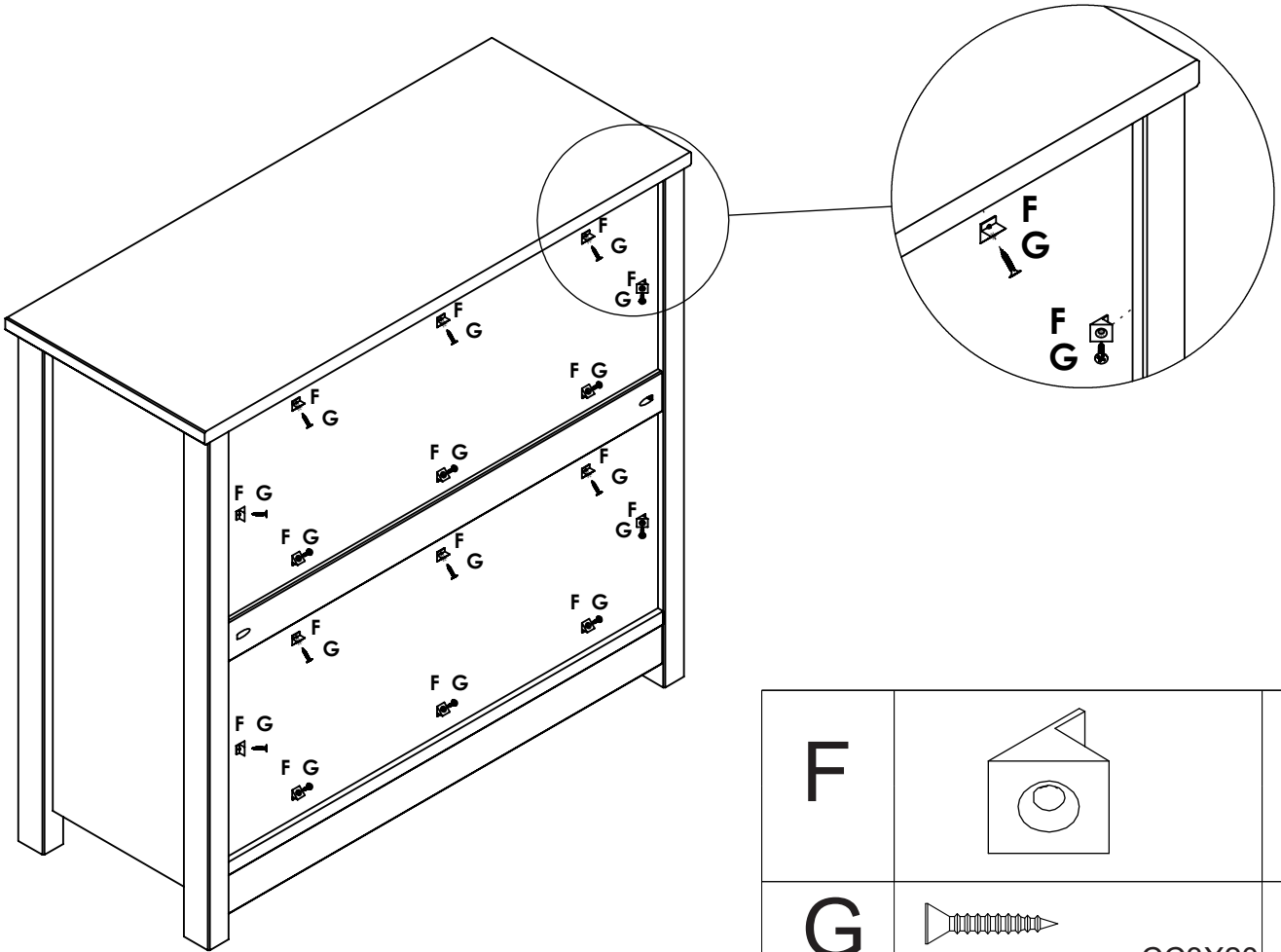
# STEP 7

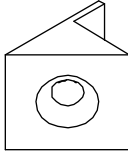



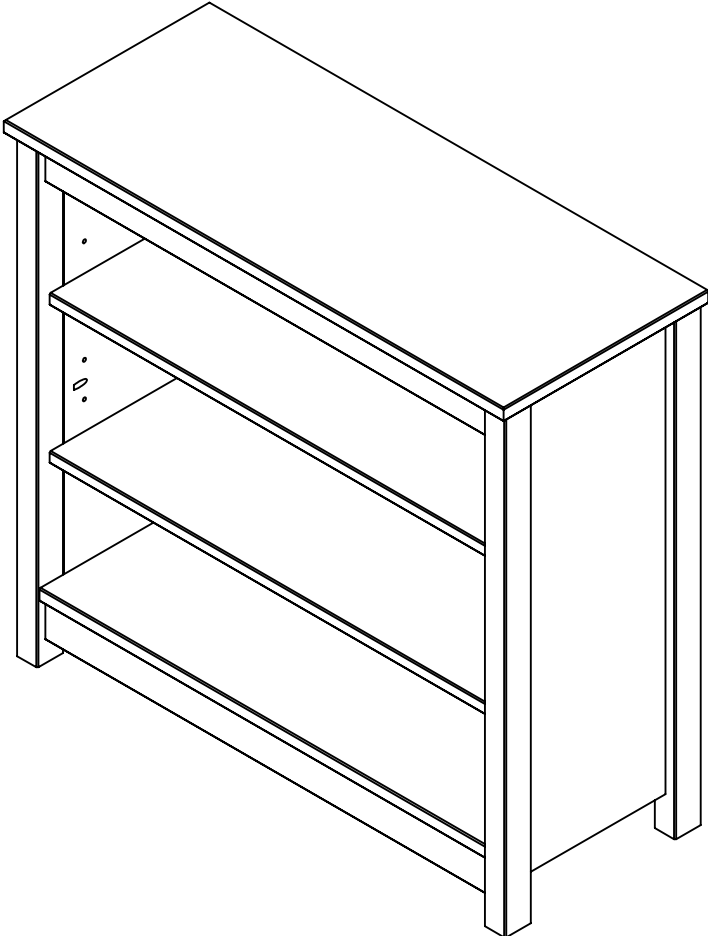
# STEP 8




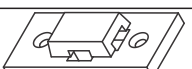


**STEP 9**



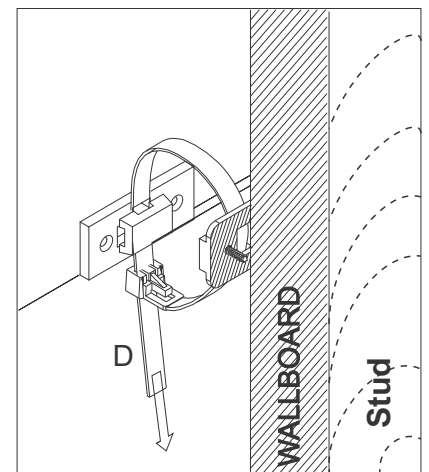
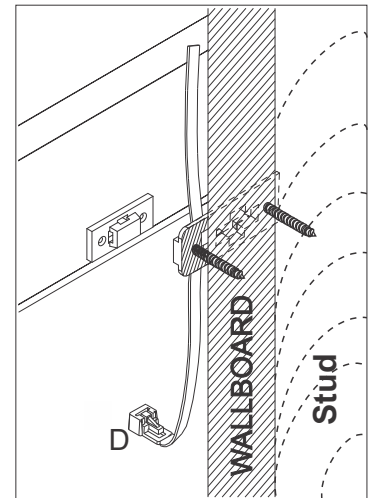
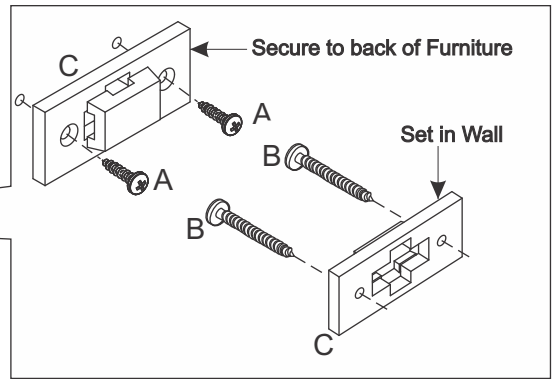
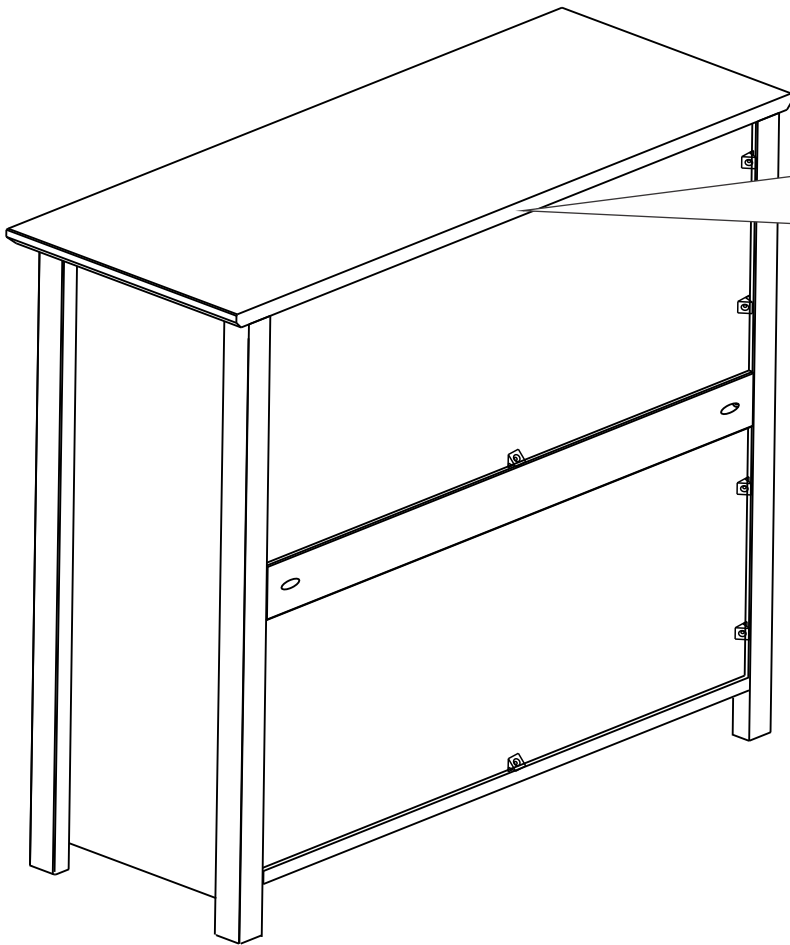
<b>F</b>		<b>16</b>
<b>G</b>	 CC3X20	<b>16</b>



# “ I ” - ANTI-TIPPING KIT

<b>A</b>	 <p>3,5x16 Screw</p>	<b>02</b>	<b>C</b>	 <p>Plastic wall bracket</p>	<b>02</b>
<b>B</b>	 <p>3,5x30 Screw</p>	<b>02</b>	<b>D</b>	 <p>Nylon strap 140mm</p>	<b>01</b>

**Secure to Stud behind Wallboard.**



**Secure to Stud behind Wallboard!**

